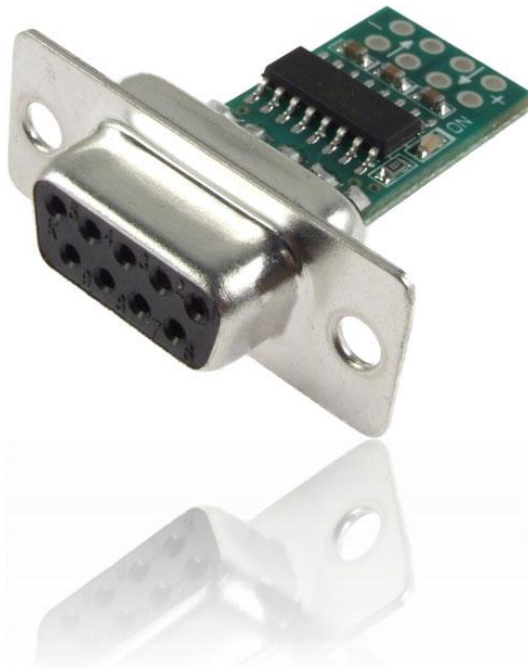




TTL232

RS232 serial line to TTL converter



TTL232

Datasheet

Created: 15.2.2021

Last update: 23.2 2021 10:52

Number of pages: 8

© 2021 Papouch s.r.o.

Papouch s.r.o.

Address:

**Strasnicka 3164
102 00 Prague 10
Czech Republic**

Tel:

+420 267 314 267

Internet:

www.papouch.com

E-mail:

info@papouch.com



OBSAH

Basic information	4
Applications	4
Features	4
Technical parameters	5
Options	5
Connections.....	6

BASIC INFORMATION

TTL232 is an embedded converter of RS232 serial line signals to TTL signals. Its miniature footprint makes it simple to embed into an RS232 connector (D-Sub9, Cannon 9) cover.

Applications

- Signal modification for industrial devices
- Service cables for mobile devices
- Service cables for security and fire systems panels, hard drives etc.

Features

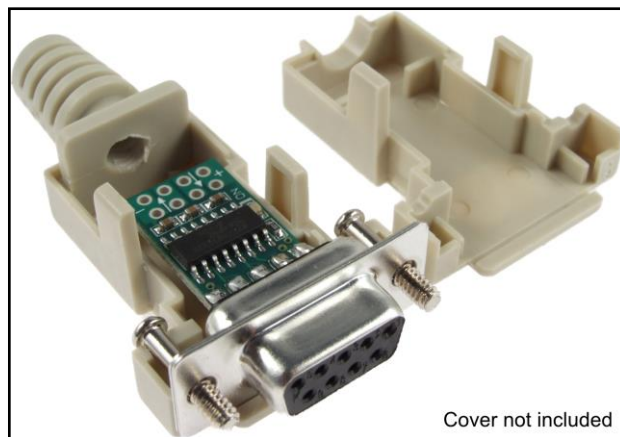
- Converts RxD and TxD signals of RS232 line
- Powered from serial port via DTR, RTS od external power supply
- Onboard power indicator
- Miniature footprint to be embedded into D-Sub9 cover

TECHNICAL PARAMETERS

Power	from signals DTR and RTS or an external power supply 3,4 to 5,5 V DC
Current consumption	typ. 8 mA @ 5 V; typ. 3,5 mA @ 3,3 V
Output level when powered from RS232	typ. 5 V
Maximum speed	460 kbps
RS232 connector	D-SUB 9 F (Cannon 9 female)
TTL and power connector	solder pads with 2,54 mm spacing
Operation temperatures	-40 to +85 °C
Dimensions	31 × 33,5 × 13 mm
Weight	10 g

Options

- Bare board (*standard make*)
- Board within D-Sub 9 cover



Please do not hesitate to contact us in case you need any custom modifications done to the TTL232 device.

CONNECTIONS

In case you cannot power the converter from Serial port, solder pads + and - are designed to have power connected to them.

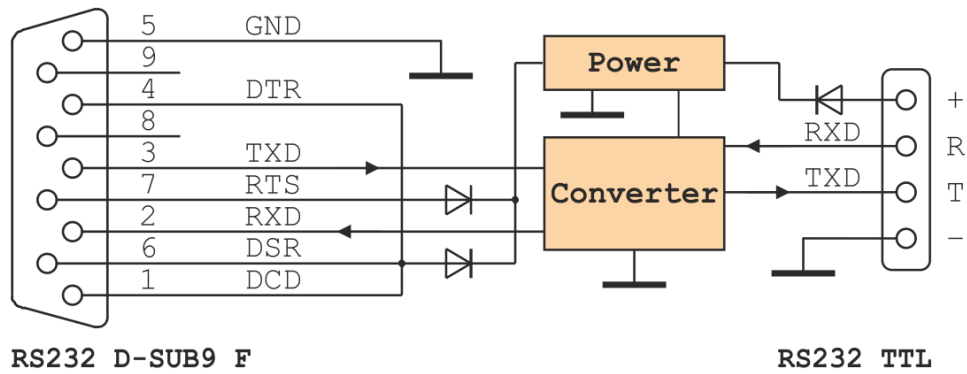


Fig 1 – Simplified converter diagram

Papouch s.r.o.

Data transmission in industry, line and protocol conversions, RS232/485/422/USB/Ethernet/GPRS/WiFi, measurement modules, intelligent temperature sensors, I/O modules, and custom-made electronic applications.

Papouch s.r.o.



Address:

**Strasnicka 3164
102 00 Prague 10
Czech Republic**

Tel:

+420 267 314 267

Internet:

www.papouch.com

E-mail:

info@papouch.com

