

SW232

Eight-way RS232 switching board
Connect more devices to a single RS232



SW232

Datasheet

Created: 7. 11. 2005

Last update: 12.05.2020 12:55

Number of pages: 8

© 2020 Papouch s.r.o.

Papouch s.r.o.

Address:

**Strasnicka 3164
102 00 Prague 10
Czech Republic**

Tel:

+420 267 314 268

Internet:

www.papouch.com

E-mail:

info@papouch.com



TABLE OF CONTENTS

Basic information	4
Features and application.....	4
Connections and indications	5
Block diagram	6
Technical parameters	7

BASIC INFORMATION

Eight-way RS232 switch allows for connecting up to eight devices to a single RS232 serial line (COM port).

Devices must be addressable and must work in request-response mode. All transmissions are indicated by LED indicators.

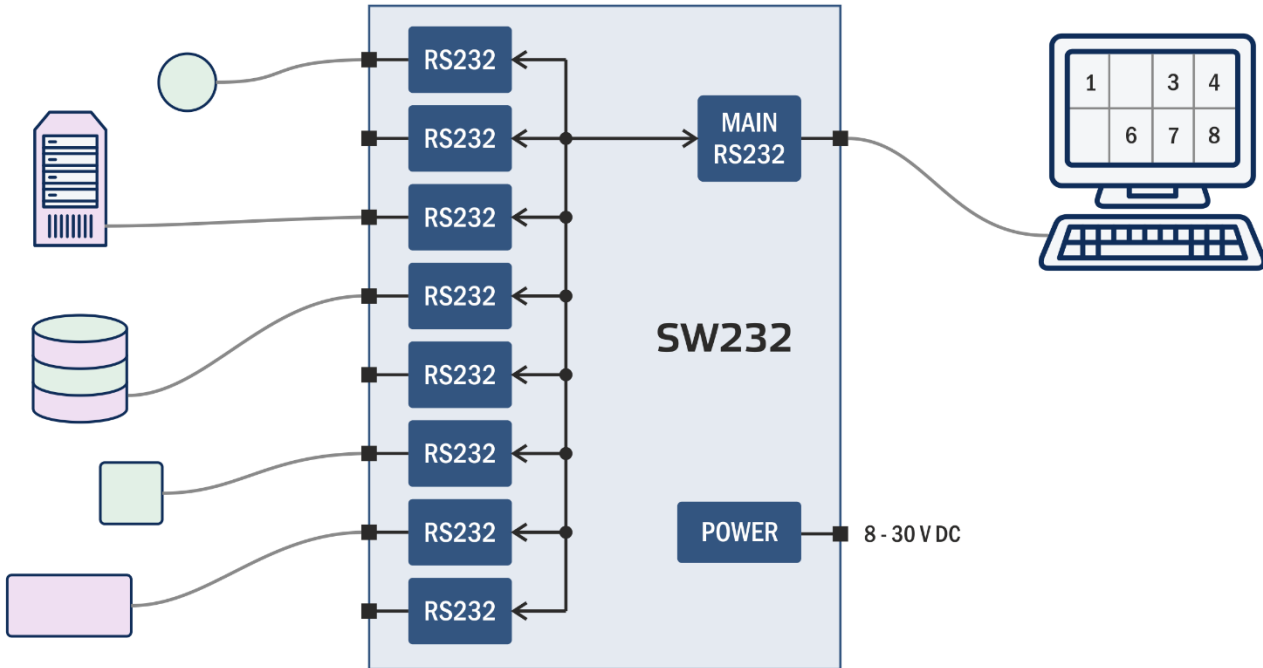


fig. 1 – communication topology using SW232 switch

Simple switch SW232 is meant to work with system working in request-response fashion. The controller Master (usually a PC) sends an instruction that is sent to all devices (Slaves). Only one device can respond (the device that has recognized its address). SW232 lets all data to pass through with no change and no delay. It does not require any setup.

Features and application

- Connect multiple devices on a single RS232 line.
- All RS232 parameters according to the norm.

CONNECTIONS AND INDICATIONS

Connections of RS232 lines of the unit is seen on fig. 2.

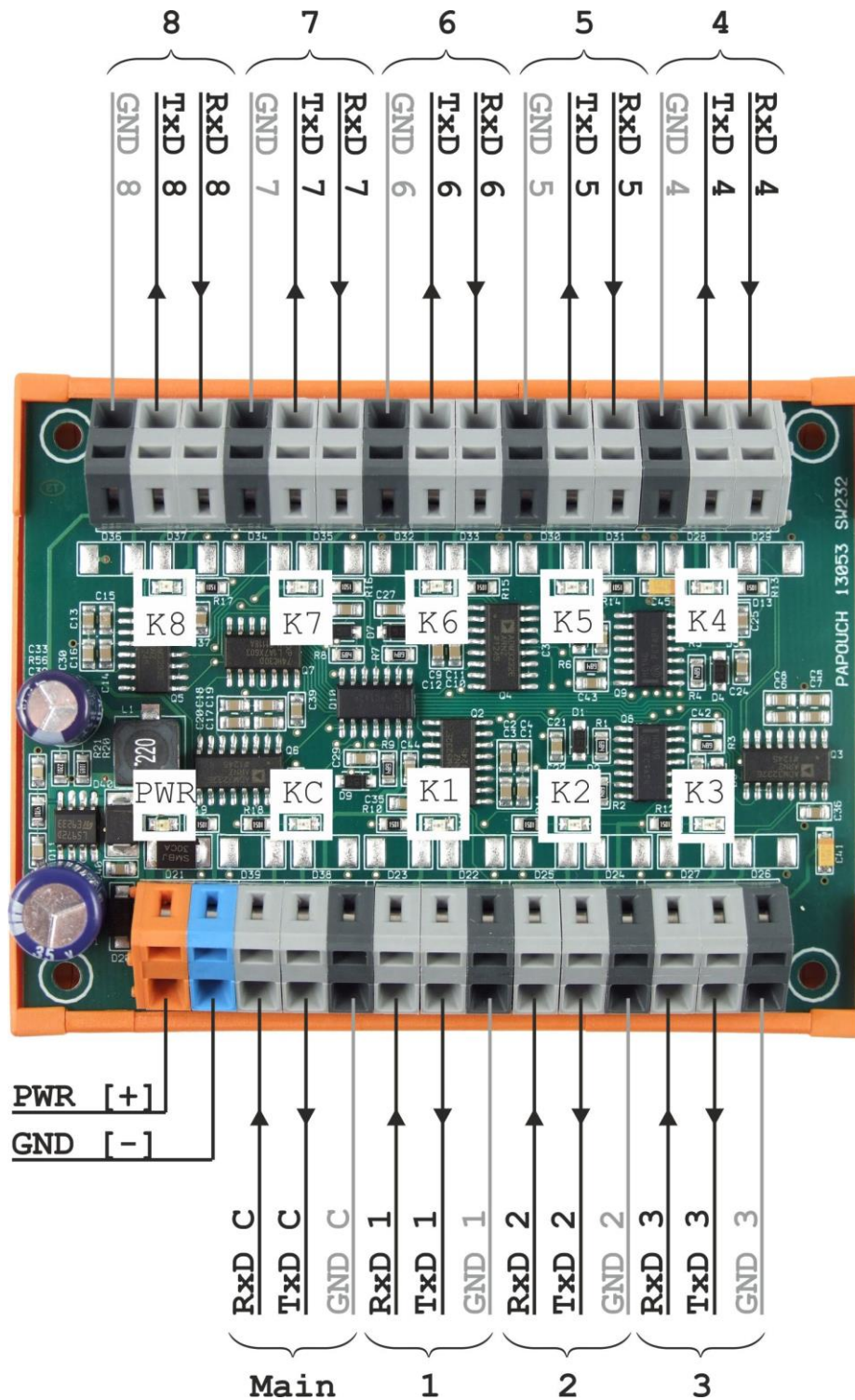


fig. 2 – terminal connections and indications

The main communications line is labeled as “Main”. Other communication lines are numbered 1 through 8.

There is an indicator on the PCB for each communication line indicating data transmission on the specific line. Indicators are labeled with a number of a given channel.

PWR indicator is on when power is connected.

BLOCK DIAGRAM

Block diagram of the SW232 function is shown on fig. 3.

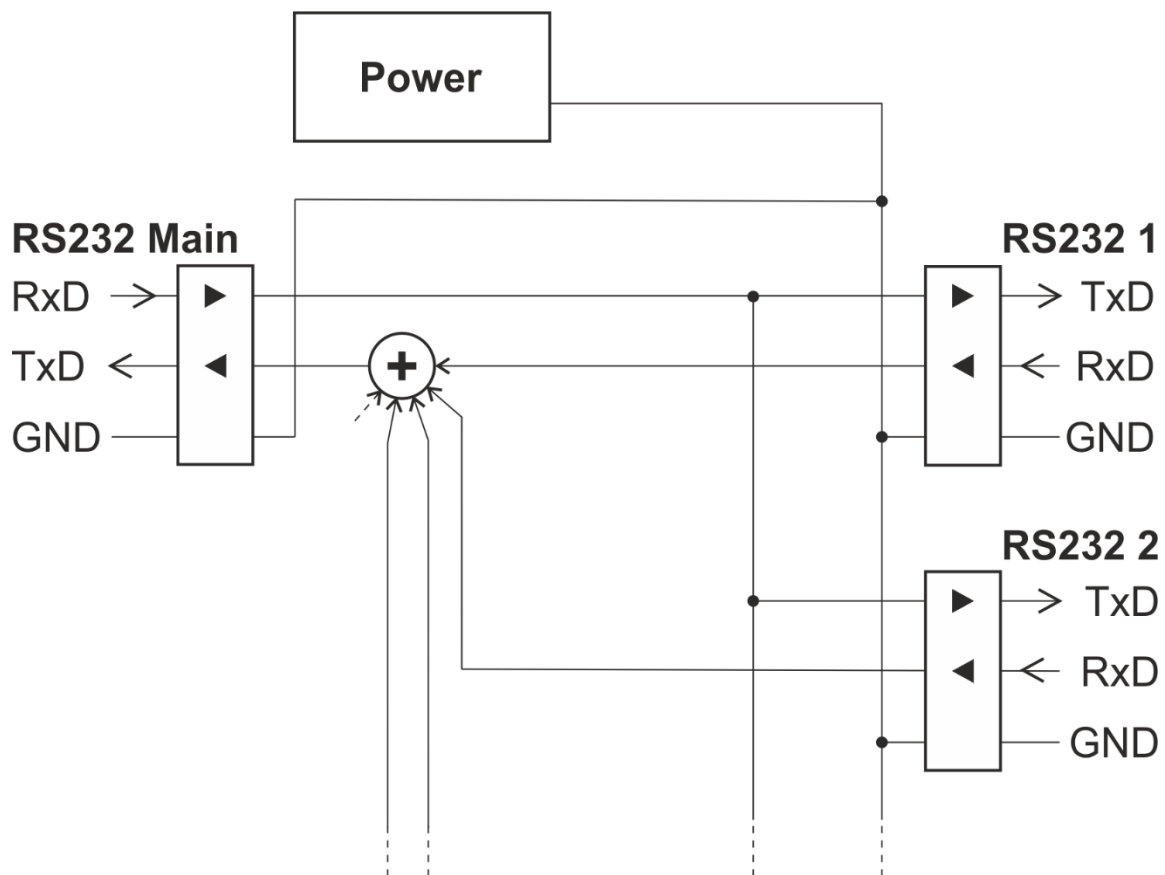


fig. 3 – block diagram of the communications part

All grounds are galvanically connected.

All communication lines have levels in accordance with the RS232 standard.

TECHNICAL PARAMETERS

Switched line type.....	RS232
Number of lines	8 + one main line (Main)
Transferred signals.....	RxD, TxD
Communication speed.....	0 to 460 kBd
Input voltage	max. ± 30 V
Input resistance	min. 3 k Ω
Output voltage	± 9 V typically (3 k Ω load)
Power voltage.....	8 to 30 V DC
Consumption	typ. 12 mA @ 12 V
Indicators lighting delay	150 ms
Signal connections	Wago 236 terminal
Dimensions.....	87 x 70 x 18 mm
Weight	85 g (including DIN rail holder)
Mount.....	DIN rail holder
Operation temperatures.....	-20 °C to +70 °C
IP coverage	IP 00

Please do not hesitate to contact us regarding your specific needs and requirements regarding SW232 unit.

Papouch s.r.o.

Data transmission in industry, line and protocol conversions, RS232/485/422/USB/Ethernet/GPRS/WiFi, measurement modules, intelligent temperature sensors, I/O modules, and custom-made electronic applications.

Address:

**Strasnicka 3164
102 00 Prague 10
Czech Republic**

Tel:

+420 267 314 268

Internet:

www.papouch.com

E-mail:

info@papouch.com

